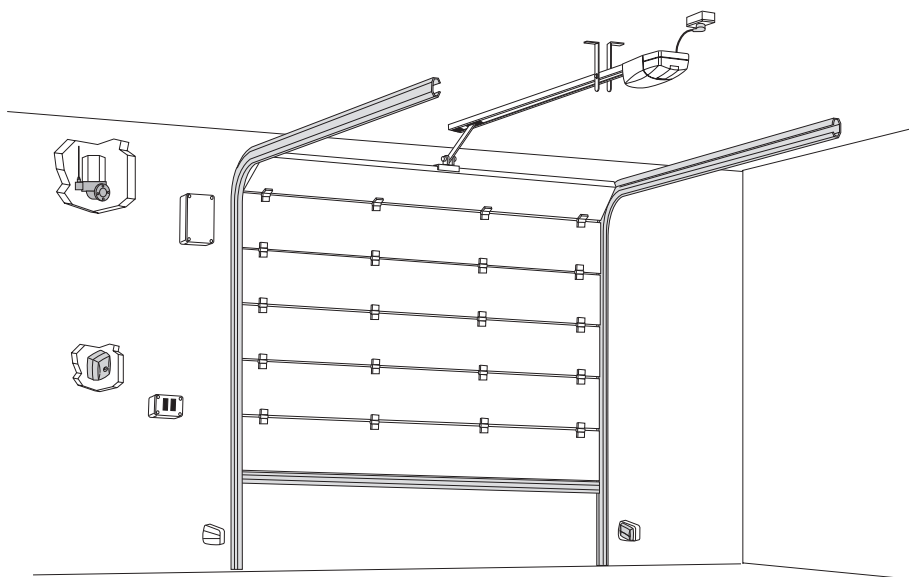


PROBO PR70 PR70-DL PR120 PR120-DL

- I** MOTORIDUTTORE ELETTROMECCANICO IRREVERSIBILE PER PORTE SEZIONALI E BASCULANTI
ISTRUZIONI E AVVERTENZE PER L'INSTALLAZIONE, L'USO E LA MANUTENZIONE.
- GB** IRREVERSIBLE ELECTRO-MECHANICAL OPERATOR FOR SECTIONAL AND UP-AND-OVER DOORS
INSTRUCTIONS AND INDICATIONS FOR INSTALLATION, USE AND MAINTENANCE.
- F** MOTO-REDUCTEUR ELECTROMECHANIQUE IRREVERSIBLE POUR PORTES SECTIONNELLES ET BASCULANTES
INSTRUCTIONS ET CONSEILS POUR L'INSTALLATION, L'EMPLOI ET L'ENTRETIEN.
- ESP** MOTORREDUCTOR ELECTROMECÁNICO IRREVERSIBLE PARA PUERTAS SECCIONALES Y BASCULANTES
INSTRUCCIONES Y ADVERTENCIAS PARA LA INSTALACIÓN, EL USO Y EL MANTENIMIENTO.
- P**
- D** ELEKTROMECHANISCHER TORANTRIEB PROBO FÜR SCHWING- UND GARAGENTORE
ANLEITUNGEN UND HINWEISE FÜR INSTALLATION, GEBRAUCH UND WARTUNG.
- PL** MOTOREDUKTOR ELEKTROMECHANICZNY NIEZWROTNY DO BRAM SEKCYJNYCH I WAHADŁOWYCH
INSTRUKCJE I WSKAZÓWKI DOTYCZĄCE MONTAŻU, UŻYTKOWANIA I KONSERWACJI.
- RUS** НЕРЕВЕРСИВНЫЙ ЭЛЕКТРОМЕХАНИЧЕСКИЙ ПОТОЛОЧНЫЙ ПРИВОД ДЛЯ СЕКЦИОННЫХ И
ПОДЪЕМНО-ПОВОРОТНЫХ ВОРОТ
ИНСТРУКЦИИ, ЗАМЕЧАНИЯ ПО МОНТАЖУ, ЭКСПЛУАТАЦИИ И ТЕХНИЧЕСКОМУ ОБСЛУЖИВАНИЮ.
- SK** ELEKTROMECHANICKÝ NEREVERZNÝ POHON PROBO PRE SEKČNÉ A VÝKLOPNÉ GARÁŽOVÉ BRÁNY
UPOZORNENIA A NÁVOD NA INŠTALÁCIU, POUŽÍVANIE A ÚDRŽBU.
- HU**
- CZ**





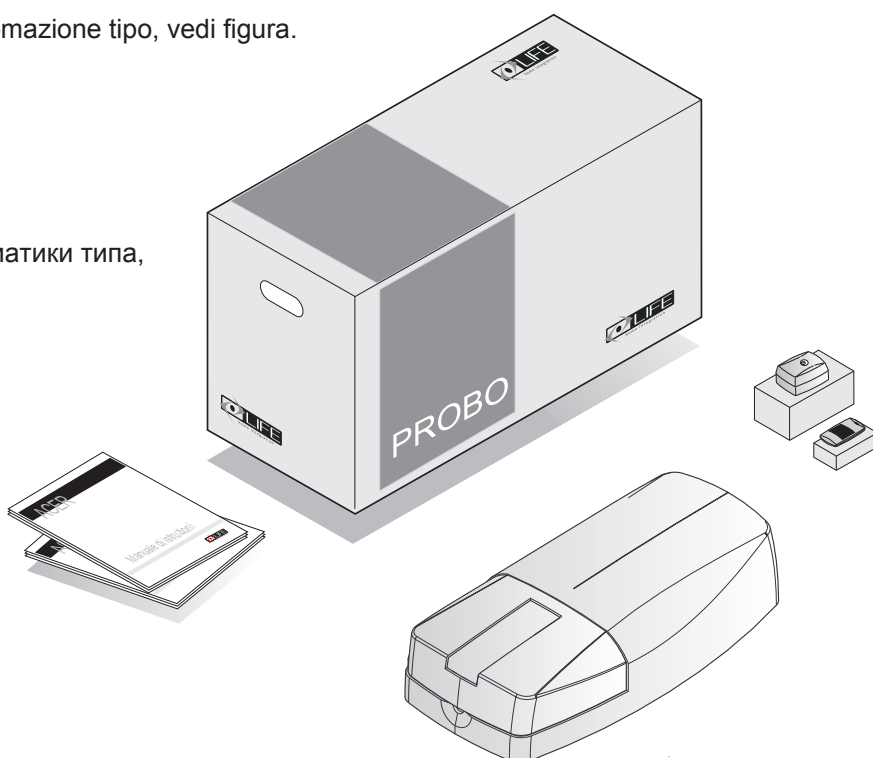
- I INSTALLAZIONE STANDARD
- GB STANDARD INSTALLATION
- F INSTALLATION STANDARD
- ESP INSTALACIÓN ESTÁNDAR
- P INSTALAÇÃO STANDARD
- D STANDARDINSTALLATION
- PL INSTALACJA STANDARDOWA
- RUS СТАНДАРТНАЯ УСТАНОВКА
- SK ŠTANDARDNÁ INŠTALÁCIA
- HU ÁLTALÁNOS TELEPÍTÉS
- CZ STANDARTNÍ INSTALACE

Tab.1: componenti e dispositivi di un'automazione tipo, vedi figura.

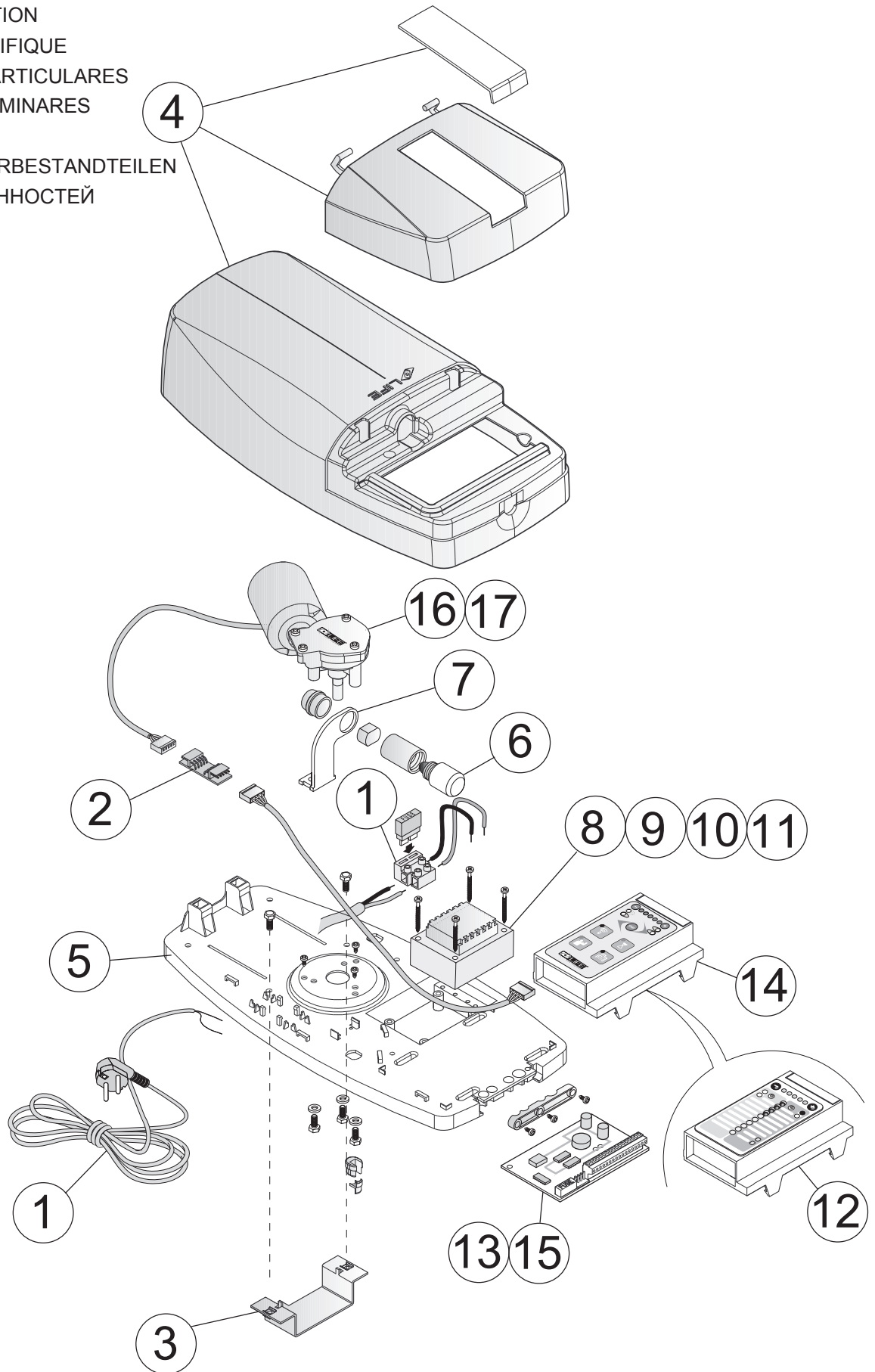
Тав.1: Компоненты и устройство автоматики типа, см. рис.

Tab.2: componenti e dispositivi di un'automazione tipo, vedi figura.

Тав.1: Компоненты и устройство автоматики типа, см. рис.



- I DESCRIZIONE PARTICOLARI
- GB SPECIFIC DESCRIPTION
- F DESCRIPTION SPECIFIQUE
- ESP DESCRIPCIONES PARTICULARES
- P DESCRIÇÕES PRELIMINARES
- PL OPIS ELEMENTÓW
- D BESCHREIBUNG DERBESTANDTEILEN
- RUS ОПИСАНИЕ ОСОБЕННОСТЕЙ
- SK
- HU
- CZ



MANUAL DESTINED TO PROFESSIONAL FITTERS ONLY

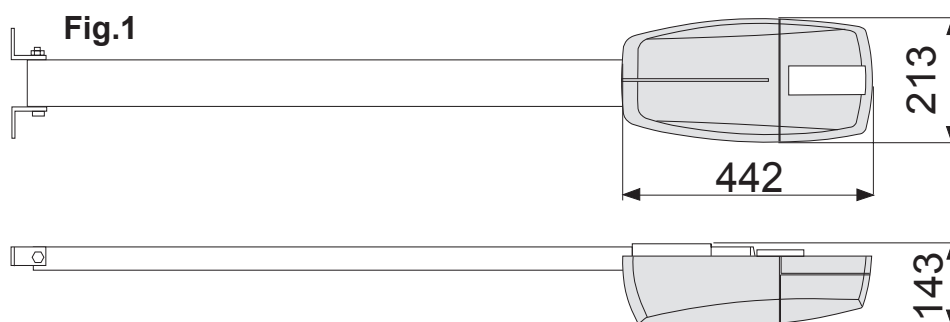
Under applicable law, installation may only be performed by professional fitters.

1 TECHNICAL DATA

LIFE home integration reserves the right to vary technical features at any time and without giving prior notice, whilst maintaining the same intended usage and functions.

PROBO is a family of irreversible electromechanical operators for the automation of residential type sectional and up-and-over doors. The range is constituted by two different power models. **PR70-07 / PR70-DL e PR120-07 / PR12 DL**. Motion transmission is performed through chain or belt-driven retainer runners; the retainer runner is equipped with a release mechanism in order to make it possible to move the door manually in the event of need.

PROBO		MODELS	
Irreversible electro-mechanical operator for sectional and up-and-over door with built in encoder and electronic unit.		PR70-07 / PR 70-DL	PR120-07 / PR 120-DL
Mains power supply	V	230 Vac 50 Hz	
Motor power supply	V	24 V dc	
Max. power	W	260	310
Max. input	A	8,5	10
Input power to line (230V)	A	1,2	1,3
Thrust	N	650	1100
Lubrication	Type	grease	
Electromechanical end stops		no	
Encoder		yes	
Speed	m/s	0,10 - 0,18	0,08 - 0,12
Work cycles	%	50	
Nominal work time	min	13	
Courtesy light 24 Vdc (internal)	W (max.)	15	
Operating temp.	°C	from -20 to +70	
Protection class	IP	20	
Motor insulation class		F	
Assembly		Horizontal ceiling-mounted on dedicated runner	
Dimensions / weight		442x213x142 (h) mm / 6.7 Kg	
Use in acid, saline or potentially explosive environment		no	
Max. leaf surface area*		11.5	18
Control unit		RG1 24P / RG1 24 DL	RG1 24P / RG1 24 DL



2 INSTALLATION

2.1 Preliminary checks and usage restrictions

Before commencing installation, the following preliminary checks must be performed:

- The area in which the automation is installed must provide adequate space for performing maintenance and manual release operations. Check the total dimensions by referring to **fig. 1**, and the manuale provided.
- The automation may be installed on both sectional and up-and-over doors; for up-and-over doors it is necessary to use the oscillating, curved arm **APRB**. The value given in Tab. is intended as a rough guide as many factors dictate the limits of use and they must be considered carefully for each installation.

	PR70-07 / PR70-DL	PR120-07 / PR120-DL
Maximum door width (m)*	5	6.5

The maximum height of the door to be automated depends on the length of the runner used, which is provided separately from the operator.

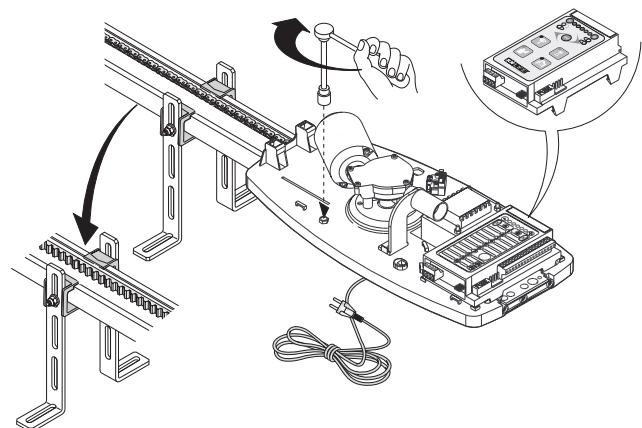
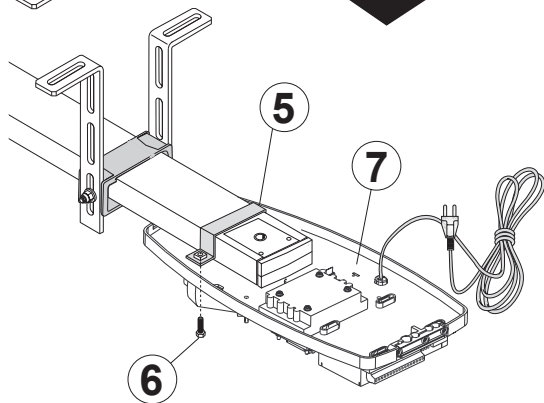
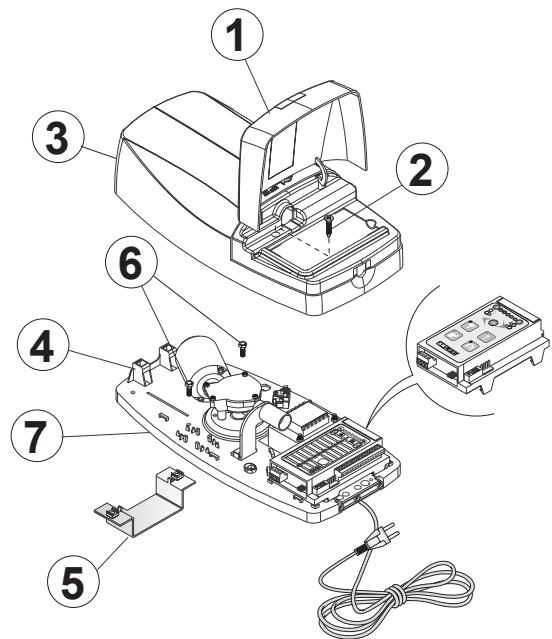
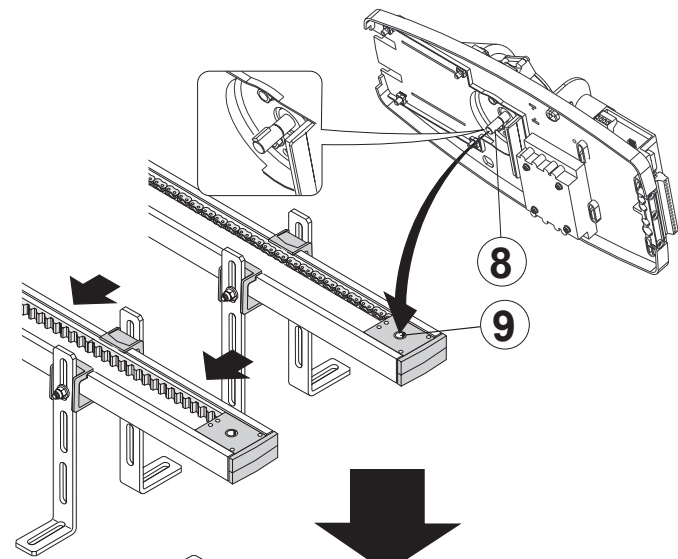
* Values reported to gates perfectly balanced.



2.2 Installing operator components

2.2.1 Mounting the operator on the runner

- Open the operator hatch (1) and loosen the clamping screws (2).
- Then remove the cap (3) from the base, paying attention to the rear fitting of the cover (4) with the base.
- Remove the omega-shaped support brackets (5) by unscrewing the 4 screws (6) that fasten them to the base (7).
- Mount the operator on the runner, introducing the protruding shaft of the operator (8) into the hole on the block (9), taking care not to force the tab.
- Fasten the operator to the runner using the omega-shaped support brackets (5), fastening it with the four hexagonal-headed screws (6) provided with the operator base (7).

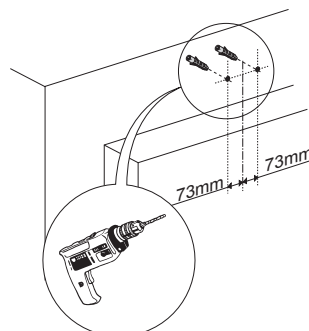
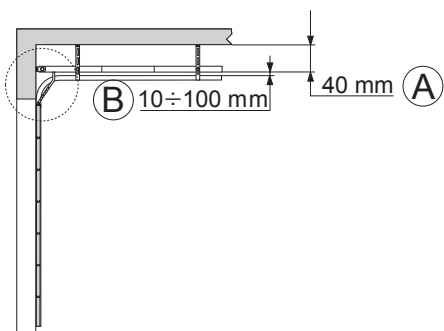


2.2.2 Automation installation

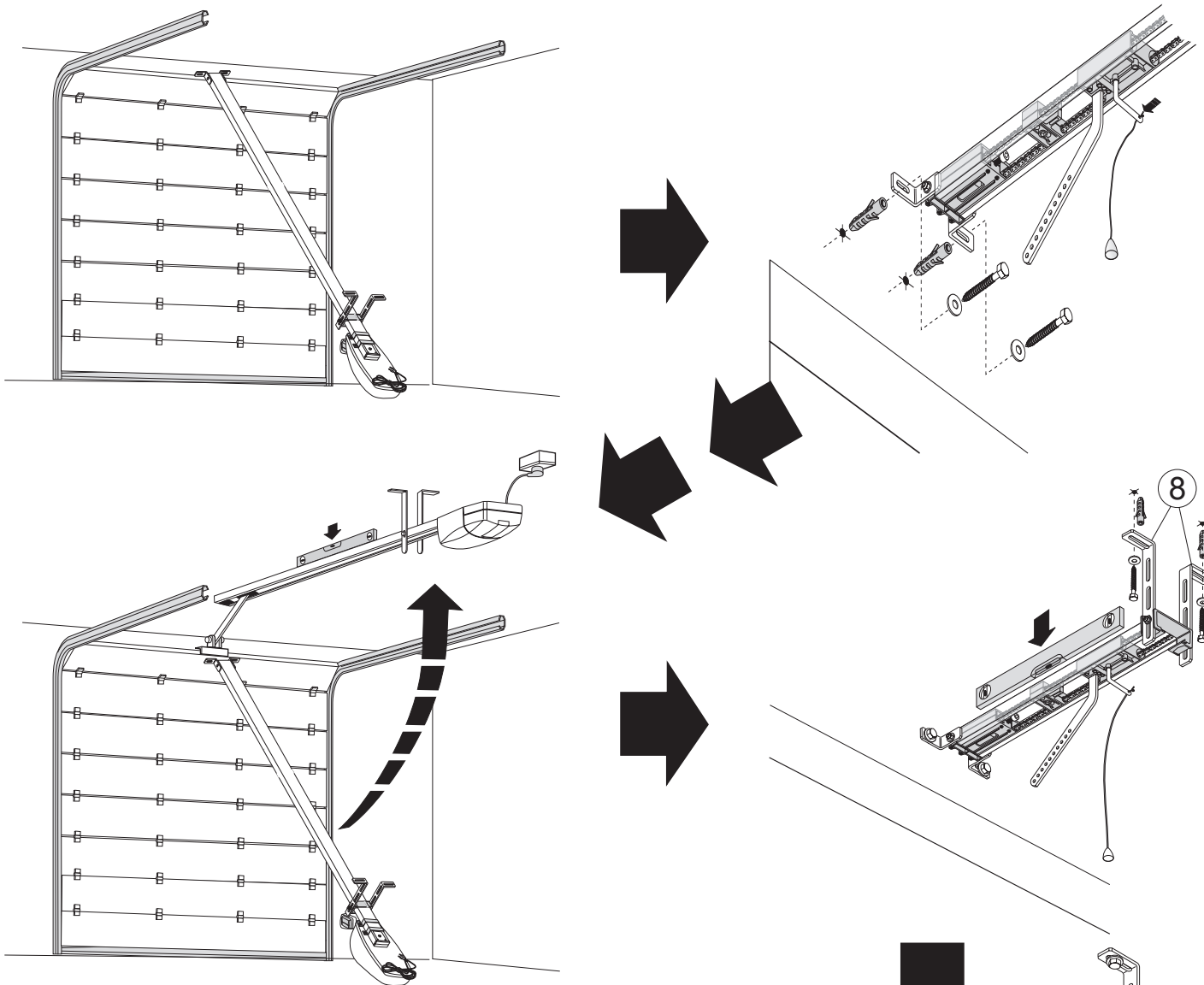
ATTENTION: the automation may only be installed once the various parts of the runner have been installed and the operator has been installed on the runner.

Sectional door:

- The minimum vertical distance of the sectional door from the ceiling **A** is **40 mm**. If the distance exceeds the height of the brackets adequate spacers must be used.
- The vertical distance of the sectional door from the operator runner **B** must be between **10 and 65 mm**.
- Close the door and measure out the centre point, marking it on the door and on the wall/ceiling.
- At a distance of **73 mm** to the left and right of the centre, mark the centre of the fixing holes of the front runner brackets, then drill the holes and insert the screw anchors.



- e) Lift the front part of the runner leaving the operator resting on the floor and firmly fix the front brackets onto the screw anchors arranged previously using suitable screws and washers.
- f) Completely lift the runner with the operator and position it ensuring that it is parallel to the ceiling.
- g) Adjust the position of the rear brackets (8) so that they rest well on the ceiling, then mark the centres for the fixing holes.
- h) Drill the holes, insert the screw anchors and firmly fasten the two rear brackets (8) to the ceiling using suitable screws and washers.
- i) Ensure that the runner is perfectly aligned and level; if necessary adjust the position in relation to the rear brackets.
- j) Lock all the front and rear bracket clamping screws.



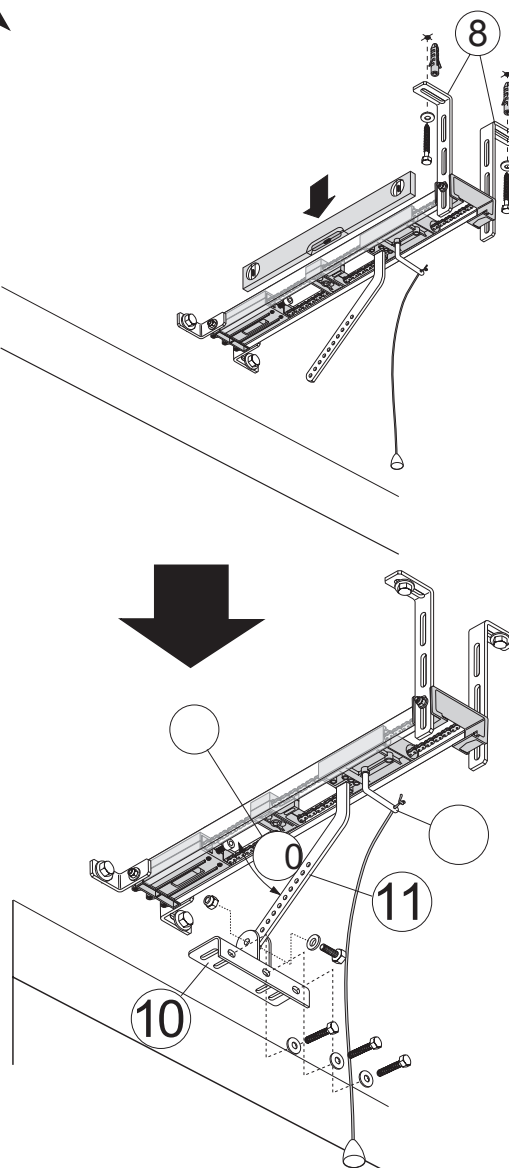
- k) Release the drive trolley (9) by pulling the cord and take it forward to allow the installation of the drive bracket (10) on the sectional door.
- l) Position the drive bracket (10) on the upper edge of the sectional door and fasten using suitable screws or rivets.
- m) Connect the drive bracket (10) to the thrust arm (11) using the screws and self-locking nut provided.

ATTENTION: in order for the mechanism to work properly the angle between the runner (12) and the thrust arm (10) must not be greater than 30°.

- n) Release the operator and manually perform a number of opening and closure manoeuvres in order to verify that it is correctly balanced: the manoeuvres must be performed with ease and the door must move without catching or swinging.

Up and over door:

The APRB curved oscillating arm is required, refer to the instruction manual provided.



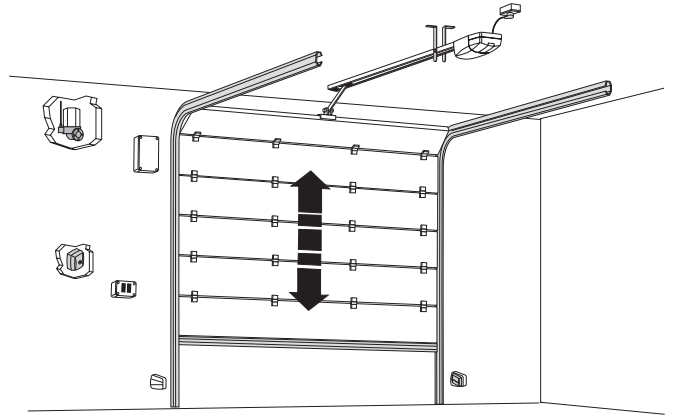
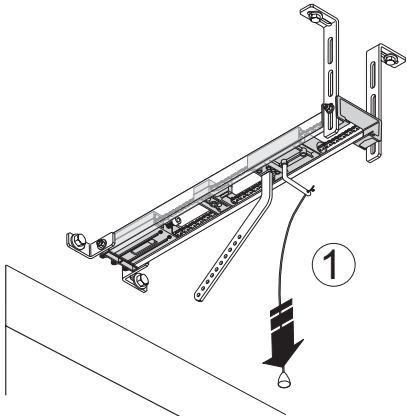
2.2.3 Operator release

ATTENTION:

- The fitter must permanently fix the label describing the manual release operation close to the manual release lever.
- The activation of the manual release could cause an uncontrolled movement of the door in the event of mechanical damage or unbalanced conditions.
- Before performing the manoeuvre switch off the electricity supply to the automation.

This command is used in the event of a blackout or system faults, to release the operator transmission and allow manual moving of the sectional/up-and-over door.

- a) Pull the cord connected to the mobile trolley (1) and move the door manually.
- b) The door is now free and can be moved by hand.
- c) To reconnect the transmission take the door to the initial position until it hooks back up.



ATTENTION: for garages that do not have a second access, the ASEC PR device for manual release from outside must be installed

3 WIRING AND CONNECTIONS

- The operator may only be connected to a suitable control unit manufactured by Life.
- All wiring and connection operations must be carried out with the operator disconnected from the electricity supply; if the disconnection device is not in view, display a sign reading "ATTENTION: MAINTENANCE WORK IN PROGRESS".

The internal operator wiring performed by the Manufacturer, may not be modified under any circumstances.

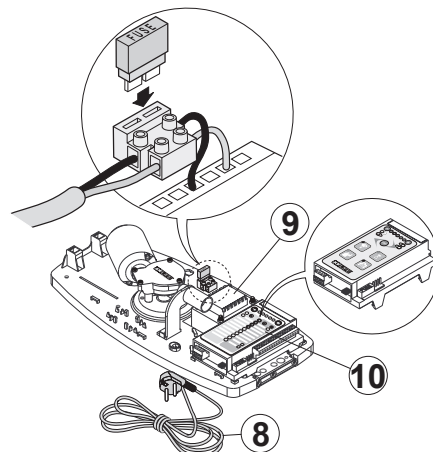
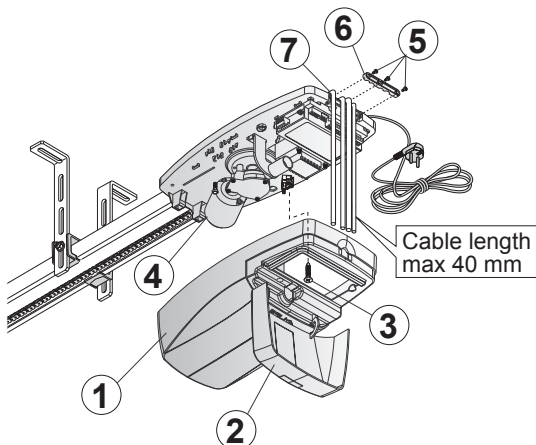
This manual does not describe how the electrics system should be prepared for connection to the mains however it gives the following warnings:

- **The electricity power line must be installed and connected by a qualified technician or professional fitter.**
- **The electricity supply line must have adequate protection against short circuits and must be earthed.**
- **The power supply network must contain a unipolar disconnection device with an opening distance of the contacts equal or greater than 3.5 mm that assures the complete disconnection of the power supply.**

3.1 Introducing the electric wires into the operator

- a) To access the terminals in the control unit, remove the cap (1) that covers the operator.
- b) Open the operator hatch (2) and loosen the clamping screws (3).
- c) Then remove the cap (1) from the base, paying attention to the rear fitting of the cover (4) with the base.
- d) Loosen the screws (5) that fastens the cable gland (6) to the base and remove it.
- e) The cables must be inserted through the corresponding holes on the base (7): keep the 230V cables separate from the very low voltage ones.
- f) Leave the cables about 40cm longer.
- g) Fasten the cables to the base using the assembly of the cable gland (6).

For connection to a 230 V ac 50 Hz power supply, use the power cable with ready-wired schuko plug provided with the operator only (8). Do not modify the connections between the power cable (7), transformer (8) and control unit (9). The power cable provided may not be extended or shortened.



Declaration of conformity



under Directive 98/37/EC, appendix II, part B (Manufacturer's Declaration of CE Conformity)

LIFE Home Integration
Via 1 Maggio, 37
31043 FONTANELLE (TV) – Italy

declares that the following product:

PROBO PR70 PR70-DL PR120 PR120-DL

satisfies the essential requisites established in the following directives:

- Low voltage directive 73/23/EEC and subsequent amendments,
- Electromagnetic compatibility directive 89/336/EEC and subsequent amendments,
- Radio and telecommunications equipment directive 1999/5/EC and subsequent amendments.

and satisfies the following standards:

- EN 12445:2000 Industrial, commercial and garage doors and gates – Safety in the usage of motorised doors – testing methods
- EN 12453: Industrial, commercial and garage doors and gates – Safety in the usage of motorised doors – Requisites
- EN 60204-1:1997 Machinery safety – Electric equipment of the machine – Part 1: general rules.

The Manufacturer also declares that it is not permitted for the abovementioned components to be used until such time as the system in which they are incorporated is declared conform to directive 98/37/EC.

Fontanelle 20/10/2007

Name of Signor:

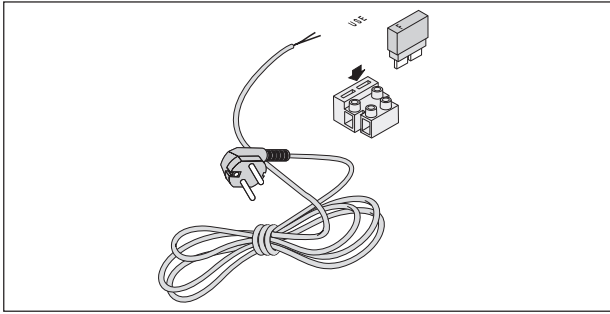
Faustino Lucchetta

Position:

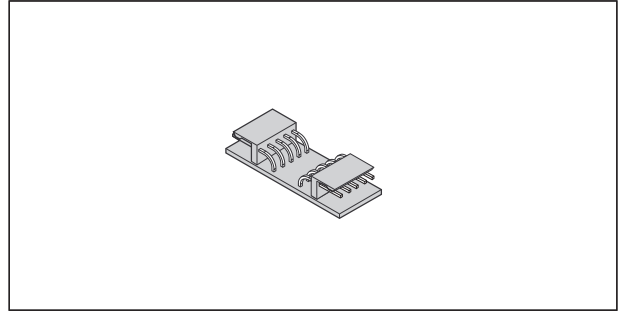
Managing Director

Signature:

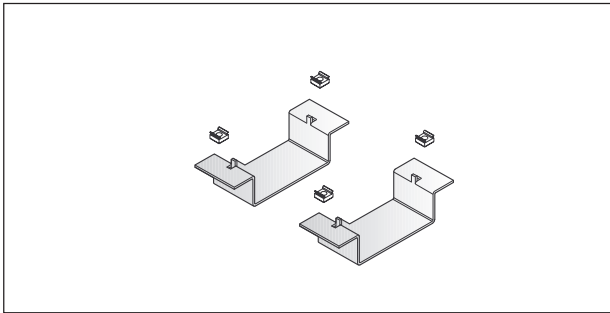




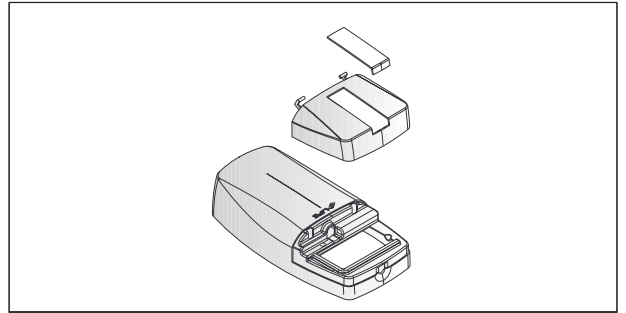
1 5RI15800



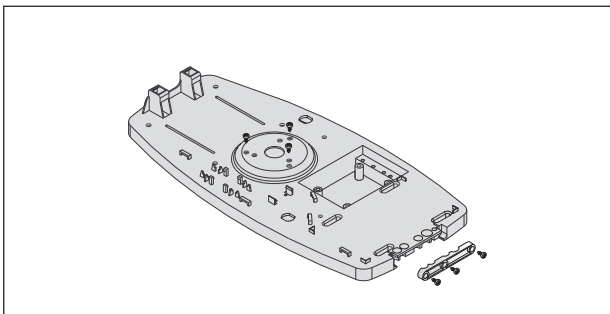
2 5RI11100



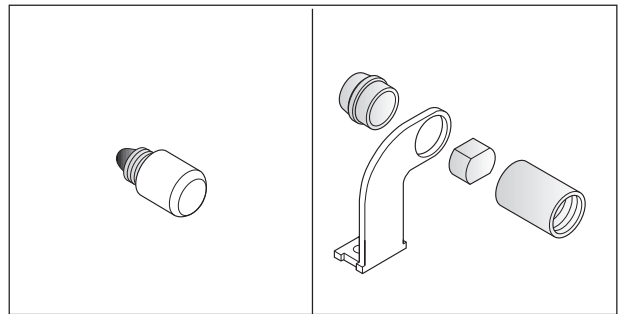
3 5RI11200



4 5RI11300

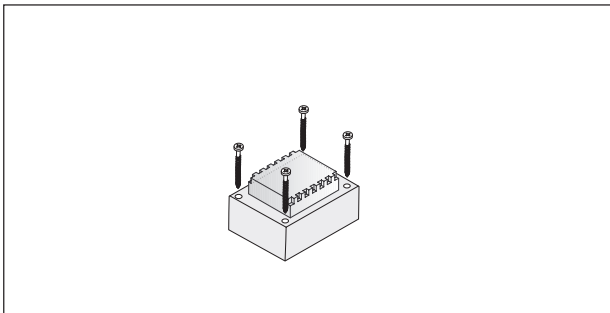


5 5RI11400

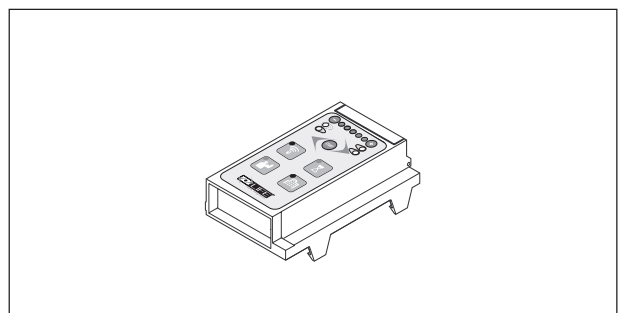


6 5RI20000

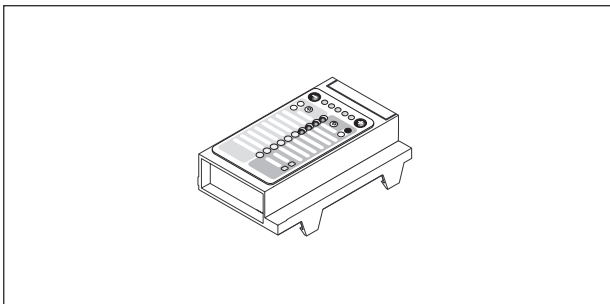
7 5RI11500



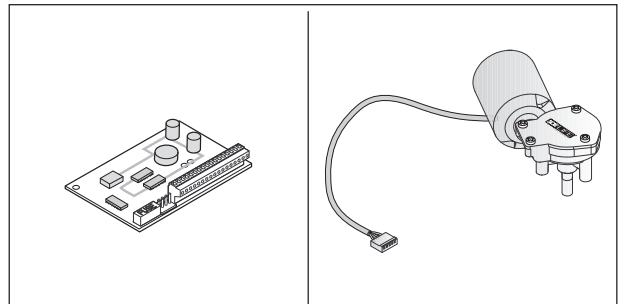
8 5RI18500 PR70 9 5RI18600 PR120
10 5RI28400 PR70 DL 11 5RI28500 PR120 DL



14 5RI01900



12 5RI01900



13 1AH00900 PR70-PR120 16 5RI11600 PR70
17 5RI38300 PR70 DL-PR120 DL 17 5RI11700 PR120

